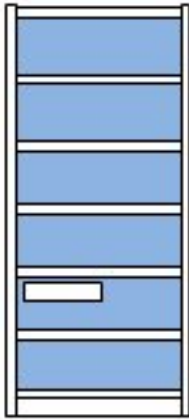
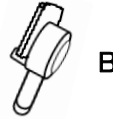


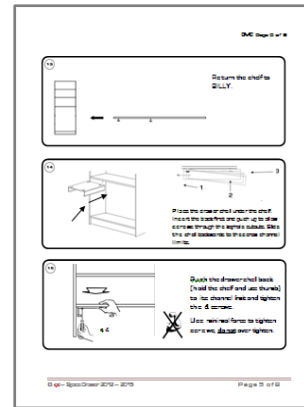
1



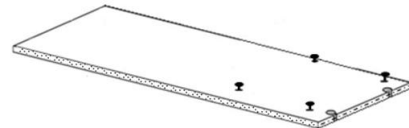
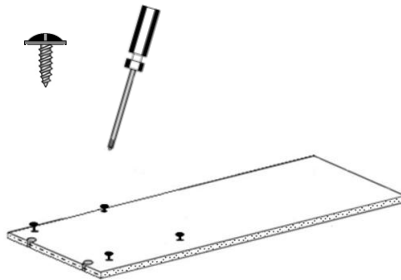
This update applies to users choosing to use 'B' shelf supports.



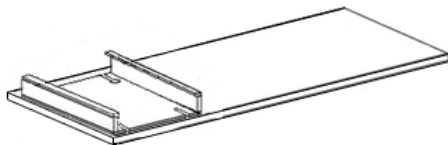
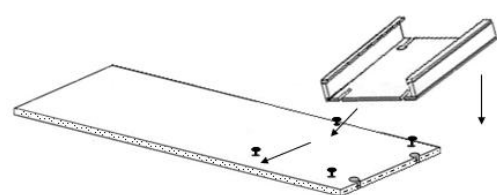
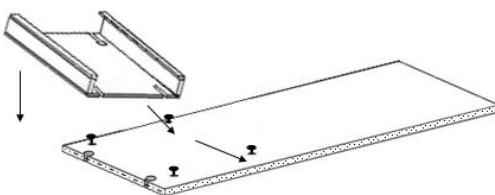
Users can choose this update to fit the SD instead of steps 13 – 15 in written manuals.



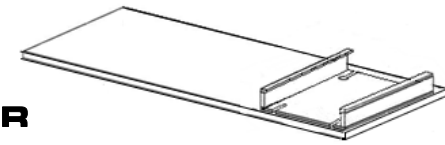
2

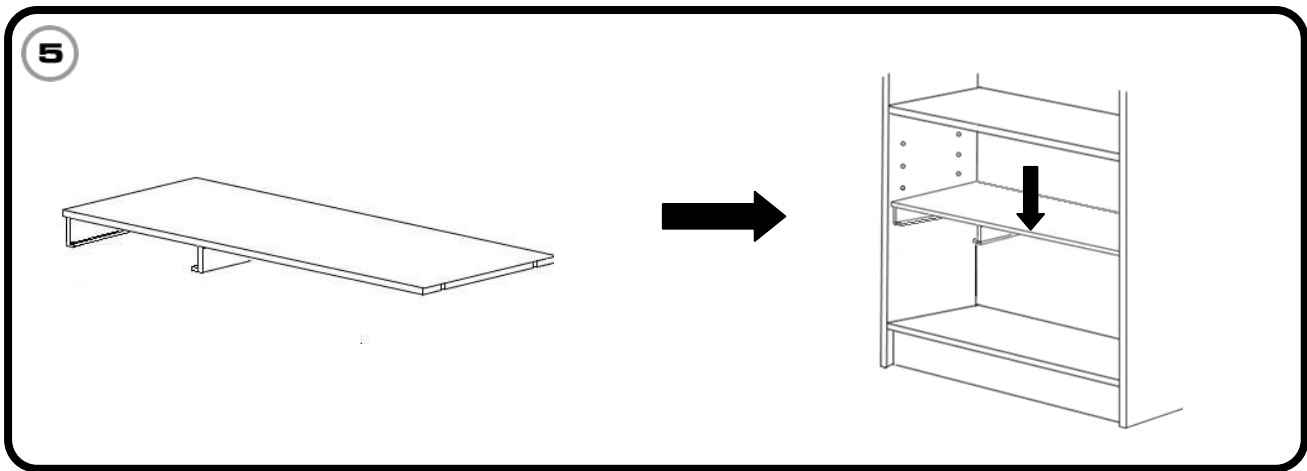
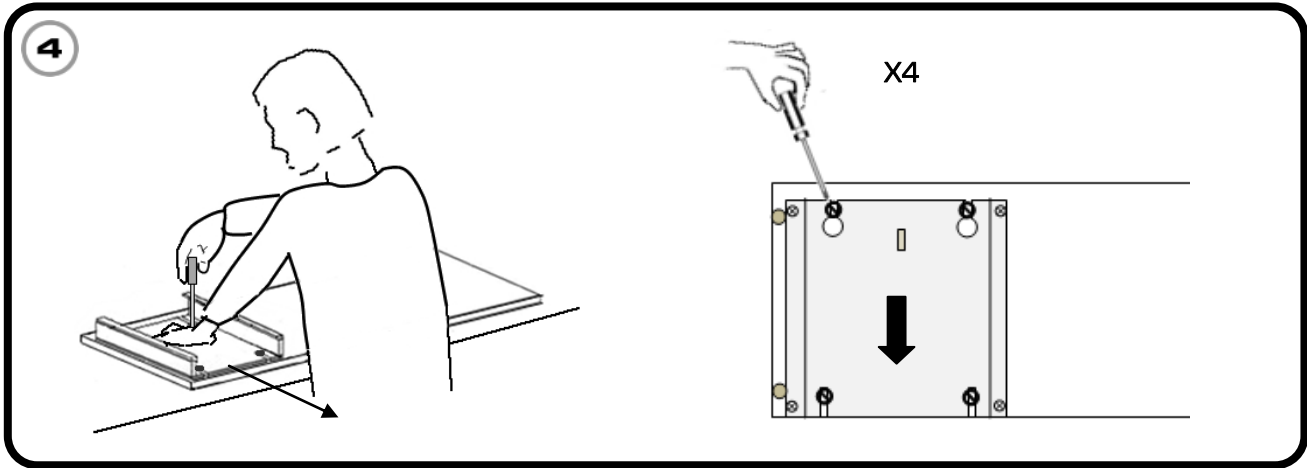


3



L or R







6 **SUMMARY**

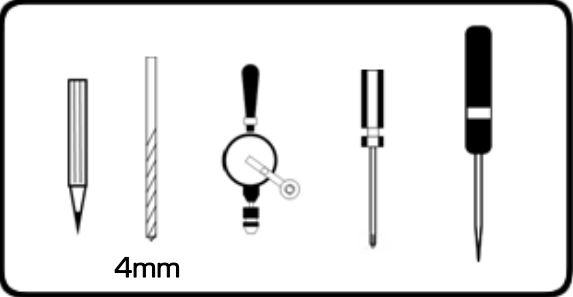
Users choosing 'B' supports can immediately fit the shell to the shelf when having fitted the 4 screws.

The shelf with fitted shell can be returned to BILLY.

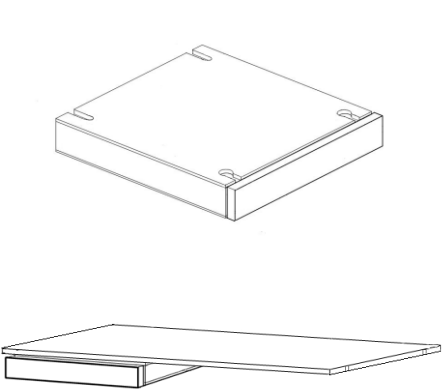
Fit the drawer into the shell.

End.

1 4 x  

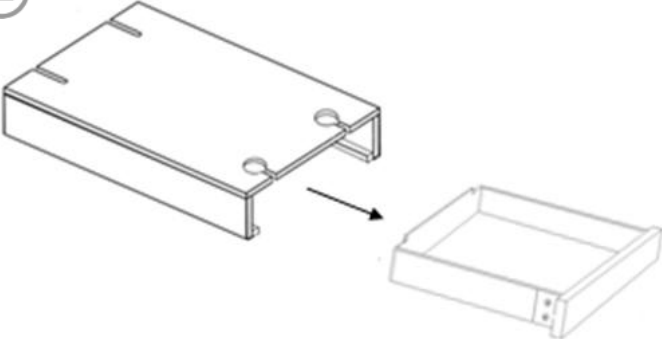


4mm

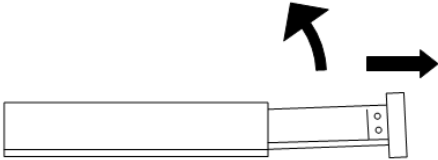


(R) Manual (click)

2



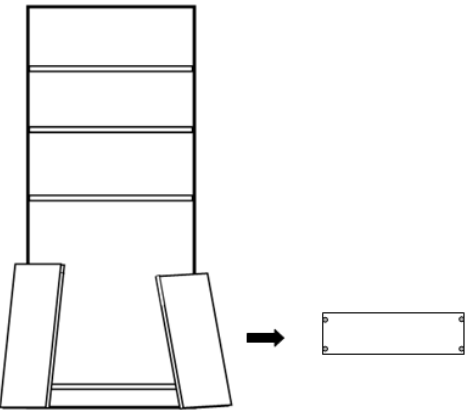
Remove the drawer from the shell.



The drawer hits the travel-limiter. Lift the drawer up and pull out to release and remove.

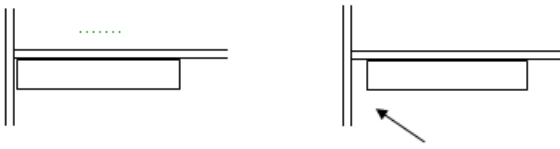
3

Decide which shelf you will use and remove it.



! Removable shelves only

4

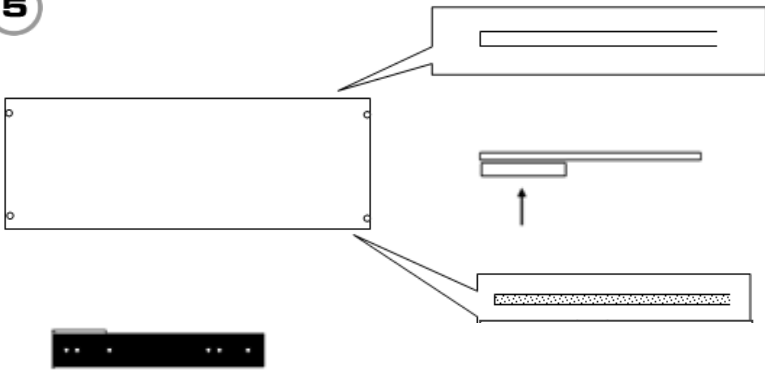


Choose where you will place the SD.


'A' = SD closer to BILLY's side.

'B' = SD sits around 11mm away from BILLY's edge.

5



Shelf underneath – face up

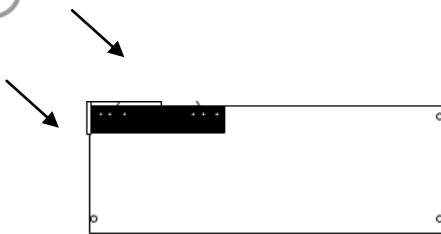
Now face: 

Laminated edge - North.


Chipboard edge – South.

SD will be on the left.

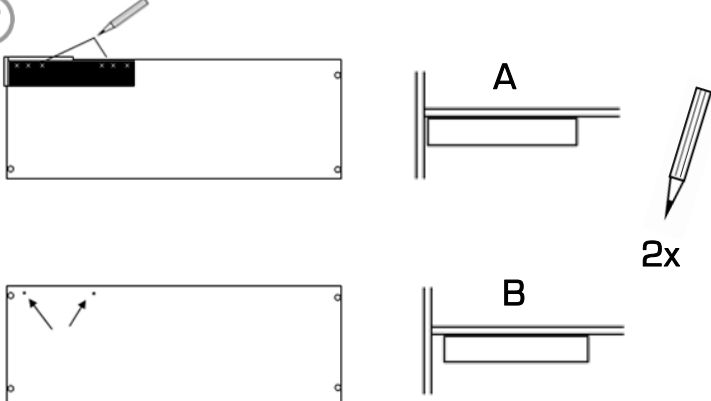
6



Place the fitting guide against the top left corner of the shelf using a South Easterly action.



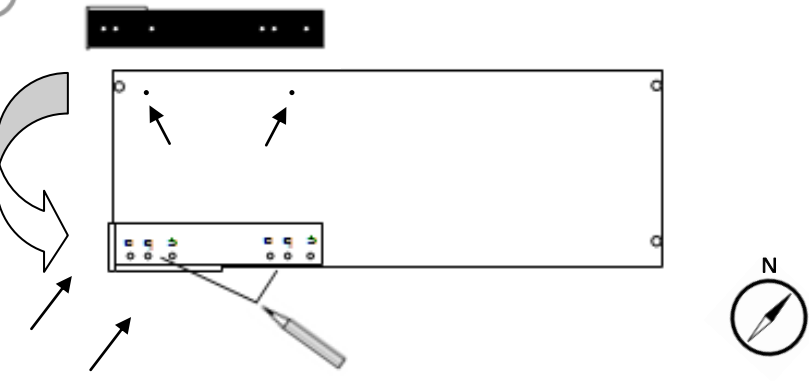
7



Mark the shelf using the guide holes with a pencil or felt tip.

Choose 'A' or 'B' left and right and mark two points for drilling.

8

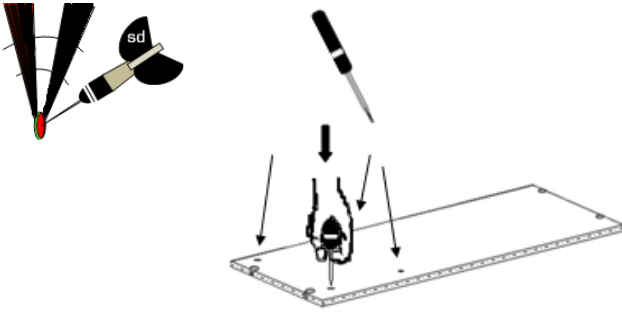


Flip the guide over to the rear of the shelf .

Place the fitting guide against the bottom left corner of the shelf using a North Easterly action.

Mark 'A' or 'B' holes.

9



Make indentations in the shelf with a bradawl on the 4 points made.

Try to be precise ('hit the bullseye').

These points will allow the drill to sit in place and guide/pilot the drill.

10

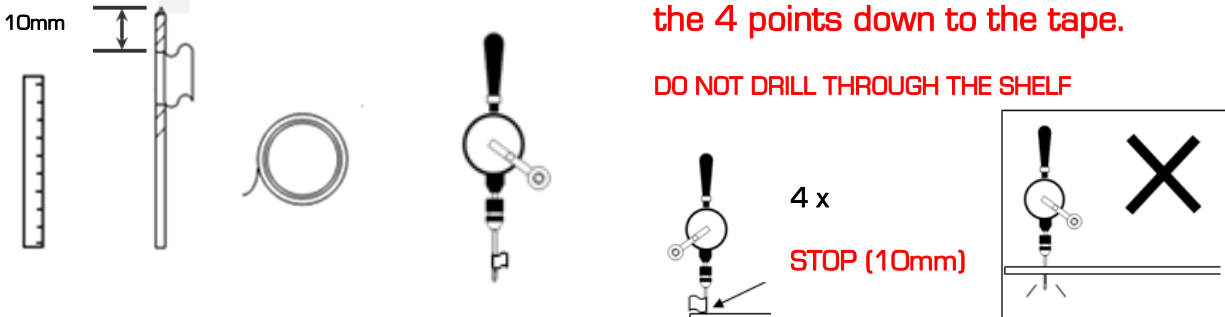
Ø 4mm

10mm

4mm drill – Mark 10mm down from the drill tip with tape. **Drill the 4 points down to the tape.**

DO NOT DRILL THROUGH THE SHELF

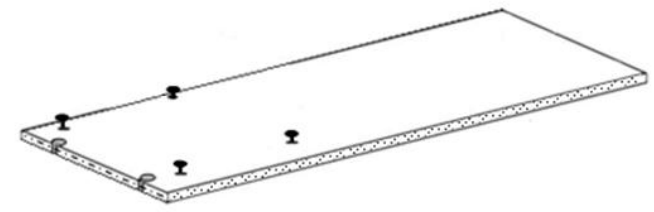
4 x
STOP (10mm)




The diagram for step 10 illustrates the drilling process. On the left, a vertical ruler is marked with a 10mm scale. Next to it, a 4mm drill bit is shown with a piece of tape wrapped around its shaft at the 10mm mark. A roll of tape is shown below. In the center, a hand is shown holding the drill vertically. To the right, the drill is shown in action, with the text '4 x STOP (10mm)' indicating the required depth. A warning diagram on the far right shows the drill bit being stopped at the shelf surface, with a large 'X' over it to indicate that drilling through the shelf is incorrect.

11

Screw the 4 screws into the shelf, allowing room to slide the SD into position.



x 4

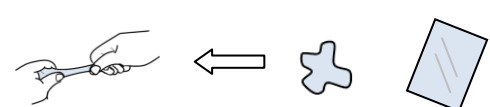
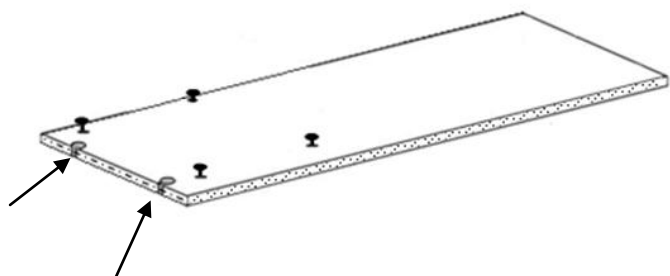


The diagram for step 11 shows a perspective view of a rectangular shelf with four screws being inserted into pre-drilled holes along its edges. To the right, a single screw is shown with the label 'x 4' below it.

12

If the holes drilled are for the 'A' position, and you only have 'B' supports, place 'Blu-tack' (mastic) in the shelf cutouts and use the 'alternative supports'.

Place the supports in BILLY.



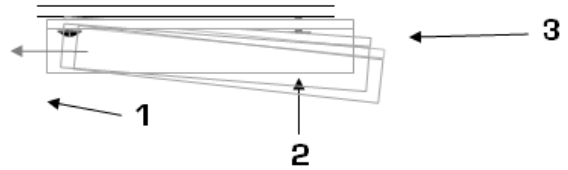
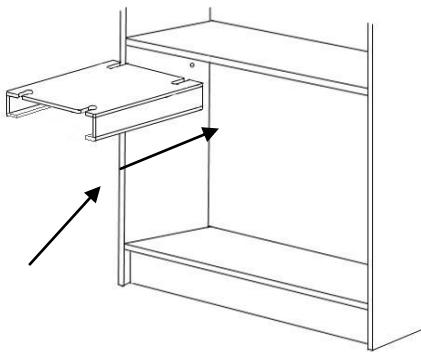
The diagram for step 12 shows a perspective view of the shelf with arrows pointing to the cutouts where Blu-tack is being applied. Below the shelf, a hand is shown applying Blu-tack to a cutout. An arrow points left towards a blue support piece, which is then shown being placed into a BILLY shelf.

13



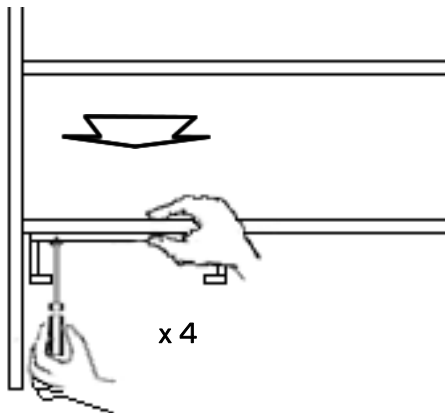
Return the shelf to BILLY.

14



Place the drawer shell under the shelf. Insert the back first and push up to allow screws through the keyhole cutouts. Slide the shell backwards to the screw channel limits.

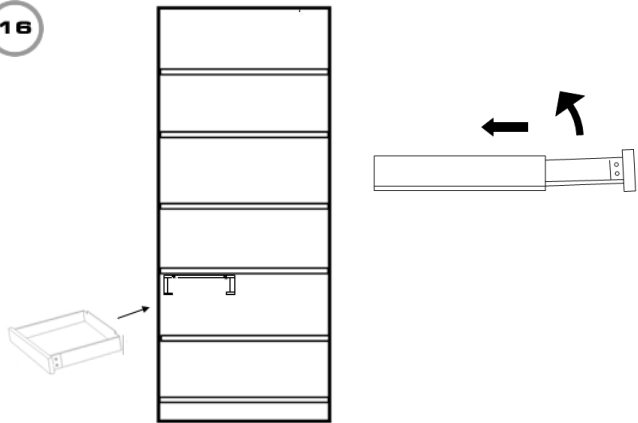
15



Push the drawer shell back (hold the shelf and use thumb) to its channel limit and tighten the 4 screws.

Use minimal force to tighten screws, do not over tighten.

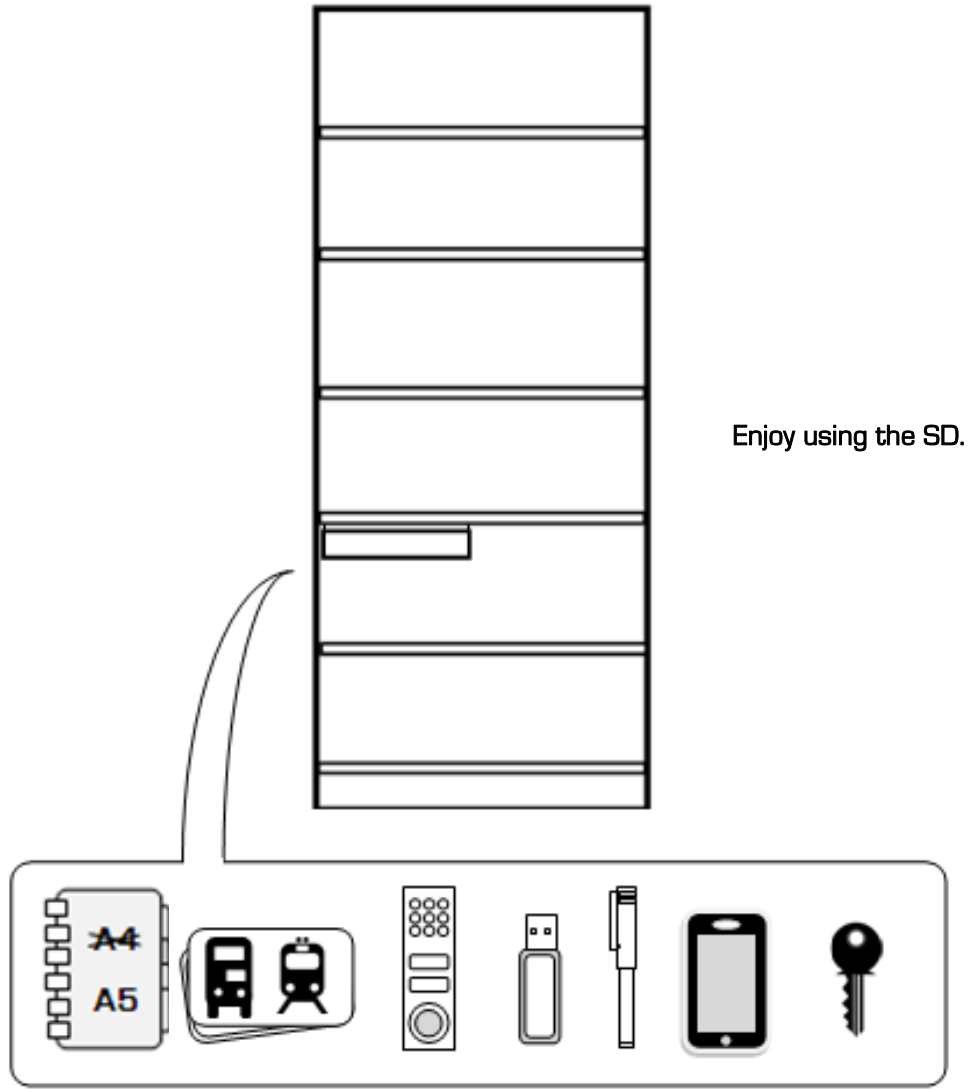
16



Place the drawer into the shell.

The drawer hits the travel-limiter. Lift the drawer upwards and push the drawer into the shell.

End of manual



Enjoy using the SD.

Advisory

- Keep any small parts, screws and tools away from children.
- Take care when using tools.
- Take your time fitting the SD.
- Try to be precise as possible when marking points.
- Do not over-tighten screws.

General statement

The sd – Space Drawer © is not an IKEA (the company) product but can be added to and used with IKEA products.

To avoid copyright infringement, no photographic or drawn IKEA images have been used in the marketing and promotion of the SD.


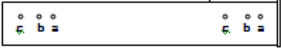
The SD is 'added' to manufacturers' products and is classed as a 'furniture add-on' and as an 'underneath shelf drawer'. The SD is an independently made idea/creation/product, first built in December 2012.






The sd – Space Drawer © is a UK registered design.

Thank you for your interest in the sd - Space Drawer ©.

This page is left blank

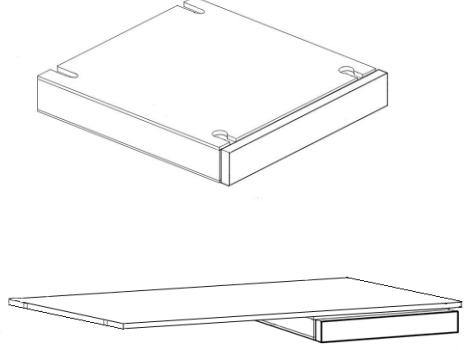
1

4 x  

4mm

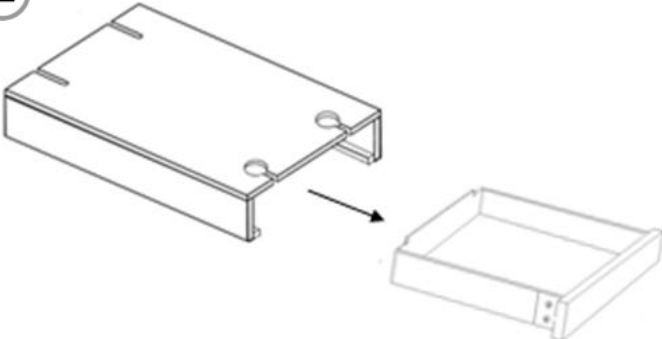
R



(L) Manual (click)

2

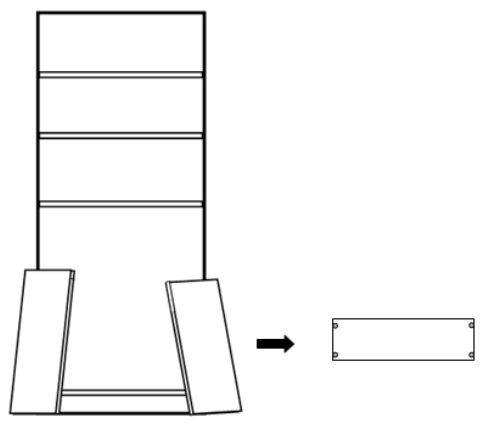
Remove the drawer from the shell.



The drawer hits the travel-limiter. Lift the drawer up and pull out to release and remove.

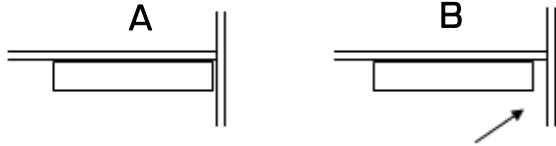
3

Decide which shelf you will use and remove it.



! Removable shelves only

4

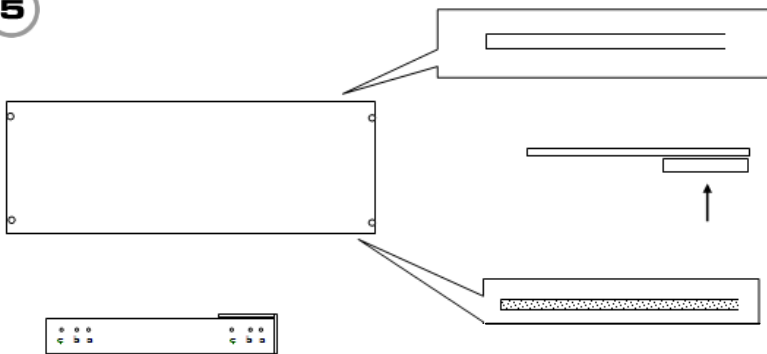


Choose where you will place the SD.

'A' = SD closer to BILLY's side.

'B' = SD sits around 11 mm away from BILLY's edge.

5



Shelf underneath – face up

Now face:

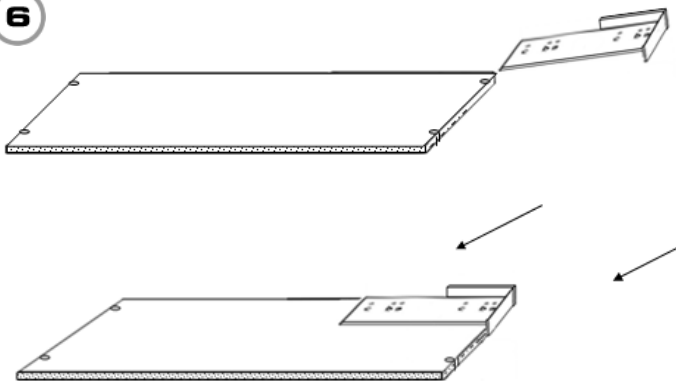


Laminated edge - North.

Chipboard edge – South.

SD will be on the right.

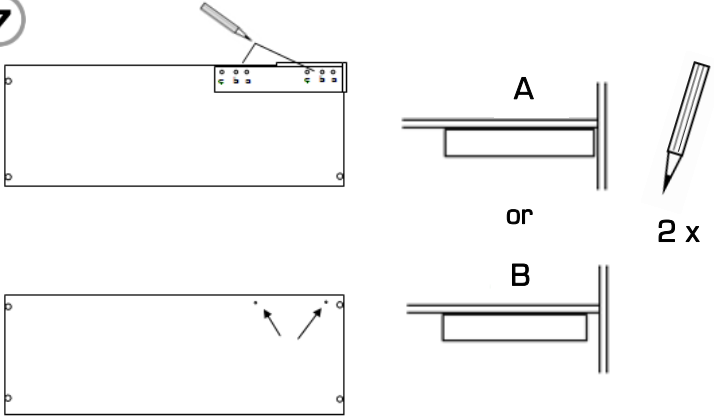
6



Place the fitting guide against the top-right corner of the shelf using a South Westerly action.



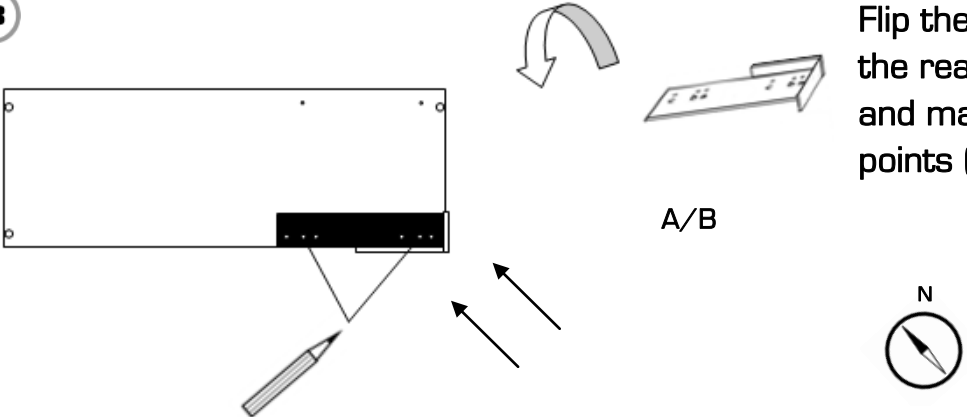
7



Mark the shelf using the guide holes with a pencil or felt tip.

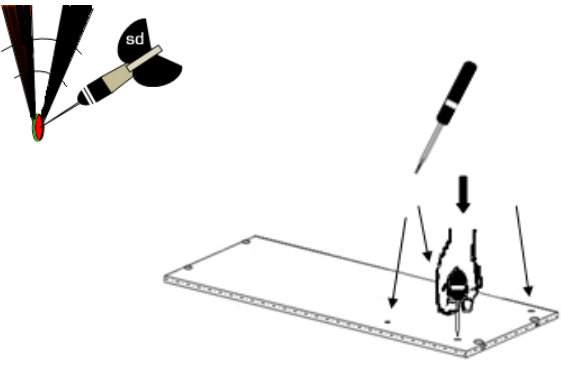
Choose 'A' or 'B' left and right and mark two points for drilling.

8



Flip the guide over to the rear of the shelf and mark the same two points ('A' or 'B').

9



Make indentations in the shelf with a bradawl on the 4 points made.

Try to be precise ('hit the bullseye').

These points will allow the drill to sit in place and guide/pilot the drill.

10

Ø 4mm

10mm

4mm drill – Mark 10mm down from the drill tip with tape. **Drill the 4 points down to the tape.**
DO NOT DRILL THROUGH THE SHELF

STOP (10mm)
4x

The diagram for step 10 illustrates the drilling process. It shows a 4mm drill bit, a 10mm measurement, a roll of tape, and a hand holding a drill. The text instructs to mark 10mm down from the drill tip with tape and to drill the 4 points down to the tape, but not through the shelf. A diagram shows the drill being used to create four holes in the shelf, with a 'STOP (10mm)' label and '4x' indicating the quantity. A warning diagram shows the drill bit going through the shelf, marked with a large 'X' to indicate this is incorrect.

11

Screw the 4 screws into the shelf, allowing room to slide the SD into position.

The diagram for step 11 shows a perspective view of a shelf with four screws being inserted into pre-drilled holes. The text instructs to screw the 4 screws into the shelf, allowing room to slide the SD into position.

12

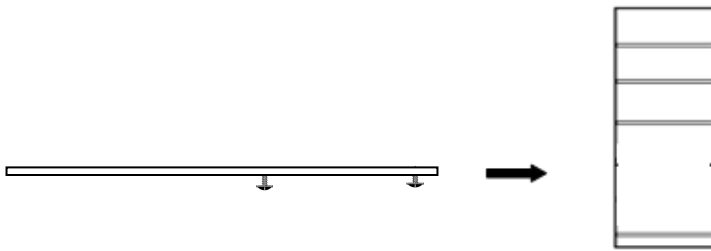
If the holes drilled are for the 'A' position, and you only have 'B' supports, place 'Blu-tack' (mastic) in the shelf cutouts and use the 'alternative supports'.

Place the supports in BILLY.

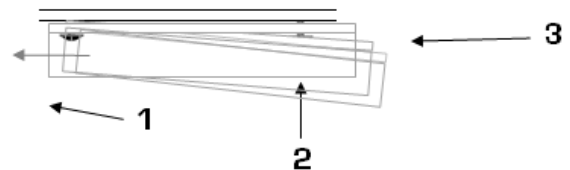
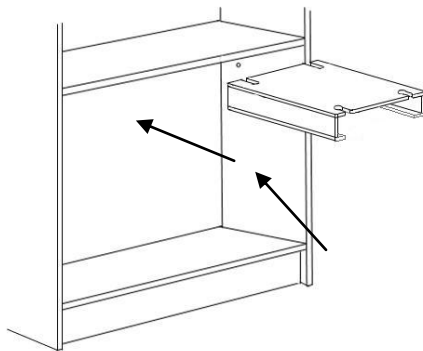
The diagram for step 12 shows a perspective view of a shelf with Blu-tack and alternative supports being placed in the shelf cutouts. The text instructs to place Blu-tack (mastic) in the shelf cutouts and use the 'alternative supports' if the holes drilled are for the 'A' position and you only have 'B' supports. The diagram shows a hand placing Blu-tack and alternative supports into the shelf cutouts, with arrows pointing to the shelf cutouts.

13

Return the shelf to BILLY.

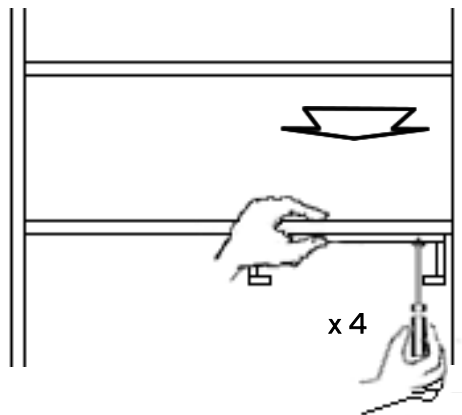


14



Place the drawer shell under the shelf. Insert the back first and push up to allow screws through the keyhole cutouts. Slide the shell backwards to the screw channel limits.

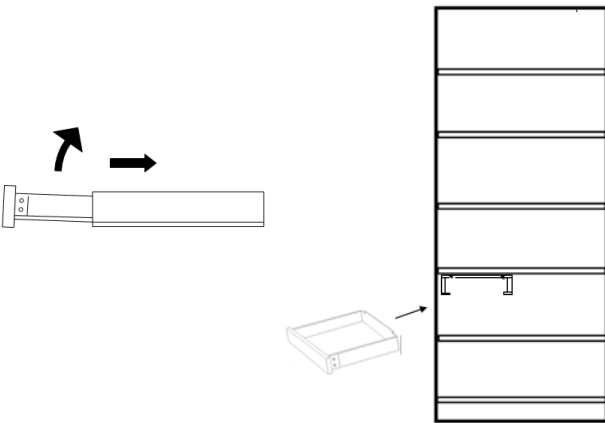
15



Push the drawer shell back (hold the shelf and use thumb) to its channel limit and tighten the 4 screws.

Use minimal force to tighten screws, do not over tighten.

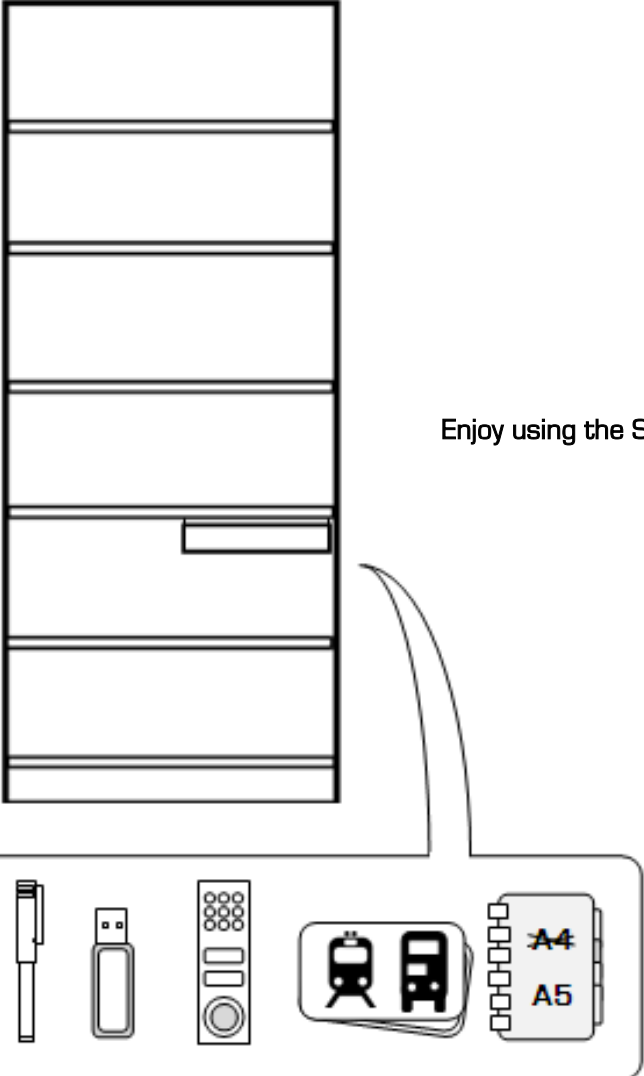
16



Place the drawer into the shell.

The drawer hits the travel-limiter. Lift the drawer upwards and push the drawer into the shell.

End of manual



Enjoy using the SD.

Advisory

- Keep any small parts, screws and tools away from children.
- Take care when using tools.
- Take your time fitting the SD.
- Try to be precise as possible when marking points.
- Do not over-tighten screws.

General statement

The sd – Space Drawer © is not an IKEA (the company) product but can be added to and used with IKEA products.

To avoid copyright infringement, no photographic or drawn IKEA images have been used in the marketing and promotion of the SD.

The SD is 'added' to manufacturers' products and is classed as a 'furniture add-on' and as an 'underneath shelf drawer'. The SD is an independently made idea/creation/product, first built in December 2012.

The sd – Space Drawer © is a UK registered design.

Thank you for your interest in the sd - Space Drawer ©.

This page is left blank