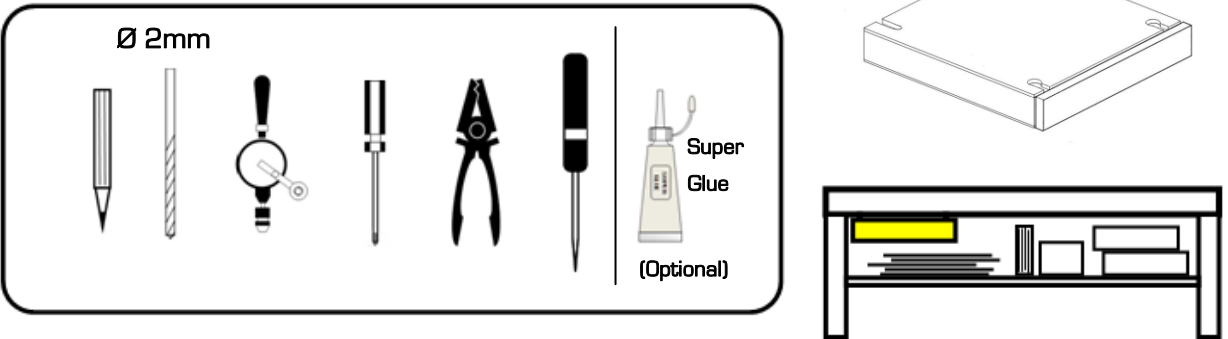


Fit to LACK (Left)

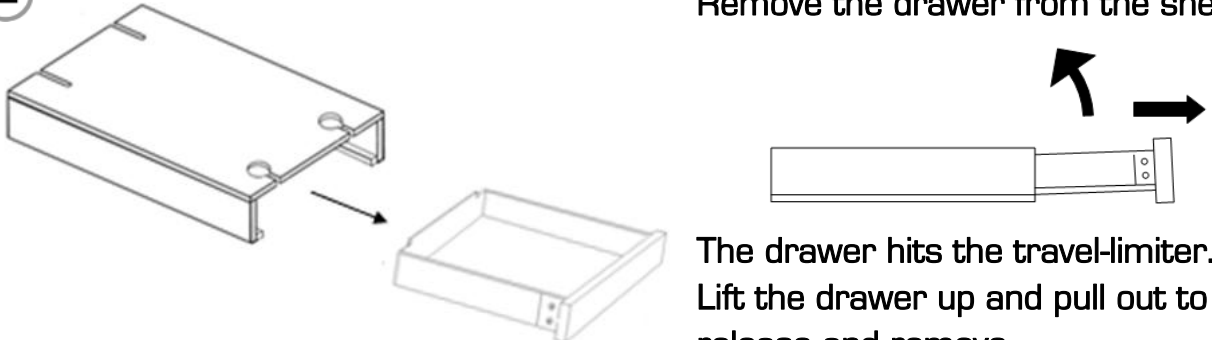
1

Ø 2mm



Super Glue
(Optional)

2



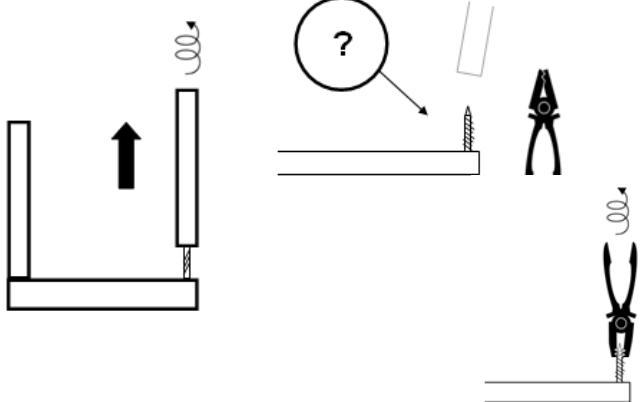
Remove the drawer from the shell.

The drawer hits the travel-limiter. Lift the drawer up and pull out to release and remove.

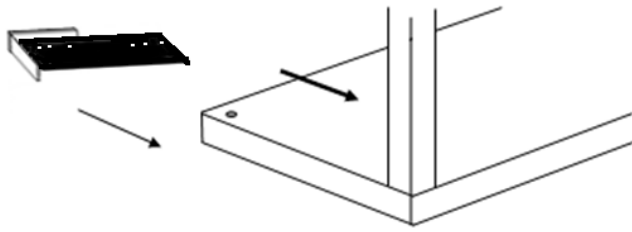
3

Remove a leg (and/or shelf) from LACK where the SD will go.

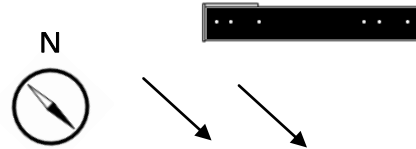
If the threaded screw remains in the table, use a pair of pliers to unscrew it free.



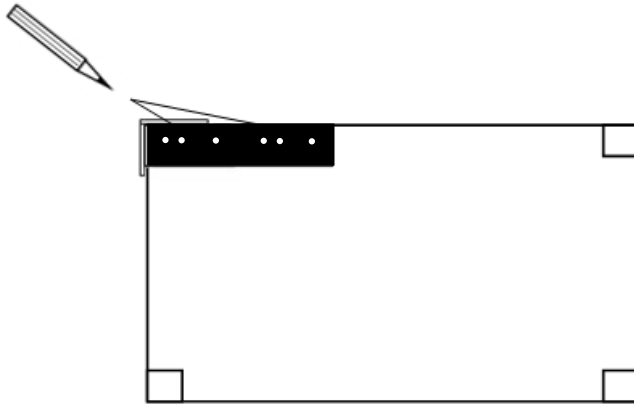
4



Place the fitting guide against the top-left corner of the table using a South Easterly action.



5



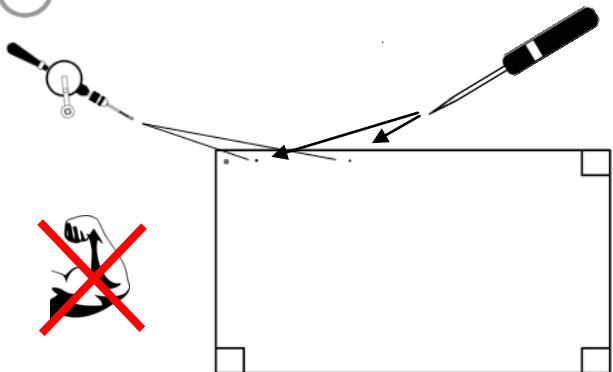
Mark the table base using the guide hole 'C' with a pencil or felt tip.

Mark 'C' left and right to mark two points for drilling.

! DO NOT USE A/B

'A' or 'B' will not work.

6



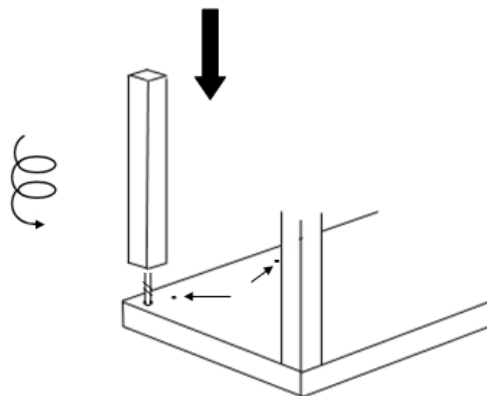
∅ 2mm

Use a bradawl to finely mark 2 points for drilling.

2mm drill – Drill the 2 marked holes.

The drill will go through the base

7



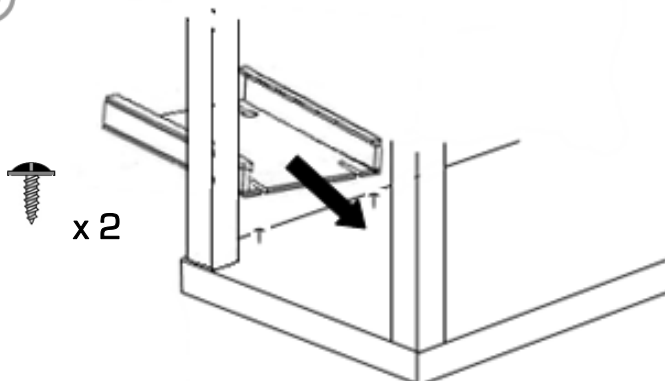
Once the two holes are drilled, the table leg can be screwed back in its original place.

8



Users who wish to strengthen drilled holes using Super-Glue can do so. Read the additional instruction sheet.

9



Screw two screws into drilled holes. Slide the SD on the base so the screws go through the SD keyhole channels. Slide to the channel limits.

Tighten the screws 'pinch-tight'.

DO NOT USE EXCESSIVE FORCE TO TIGHTEN SCREWS.

10

Once the screws have been gently tightened, mark central points in the rear channels.


This will be where to drill the rear screw holes to hold the SD.

11

1.

2.

Mark the holes centrally as possible and drill.

Alternatively, after this stage users can remove the SD to place Super-Glue in the holes - if desired. 

Read the additional sheet.

12

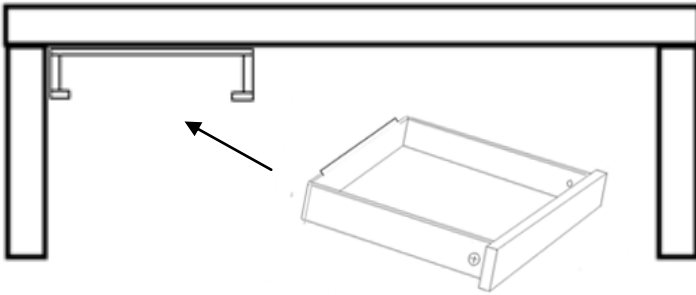
4x

Screw the final 2 screws to hold the SD onto the base.

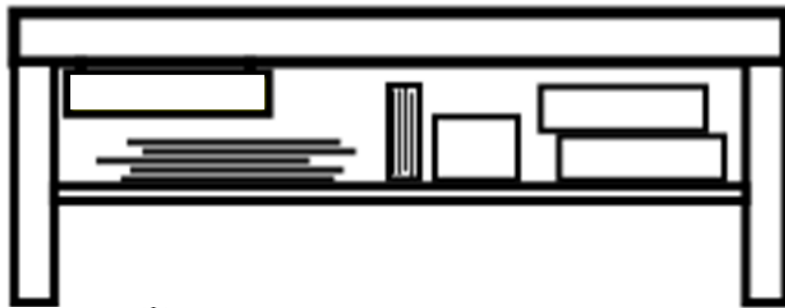
Check all 4 screws are gently tightened especially if Super-Glue is not used.

13

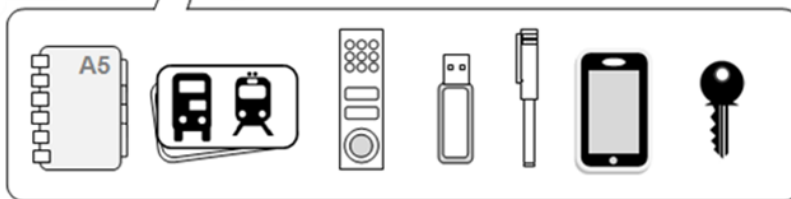
With the SD shell now in place, the drawer can go back.
Push the drawer in fully.



14



Enjoy using the SD



Advisory

- Keep any small parts, screws and tools away from children.
- Take care when using tools.
- Take your time fitting the SD.
- Try to be precise as possible when marking points.
- Do not over-tighten screws.

General statement

The sd – Space Drawer © is not an IKEA (the company) product but can be added to and used with IKEA products.

To avoid copyright infringement, no photographic or drawn IKEA images have been used in the marketing and promotion of the SD.

The SD is 'added' to manufacturers' products and is classed as a 'furniture add-on' and as an 'underneath shelf drawer'. The SD is an independently made idea/creation/product, first built in December 2012.

The sd – Space Drawer © is a UK registered design.

Thank you for your interest in the sd - Space Drawer ©.

This page is left blank

This page is left blank

Fit to LACK (Right)

1 **R**

Ø 2mm

Super Glue
(Optional)

2

Remove the drawer from the shell.

The drawer hits the travel-limiter. Lift the drawer up and pull out to release and remove.

3

Remove a leg (and/or shelf) from LACK where the SD will go.

If the threaded screw remains in the table, use a pair of pliers to unscrew it free.

4

Place the fitting guide against the top-right corner of the table using a South Westerly action.

5

'C' 2x

Mark the table base using the guide hole 'C' with a pencil or felt tip.

Mark 'C' left and right to mark two points for drilling.

! DO NOT USE A/B

'A' or 'B' will not work.

6

2x

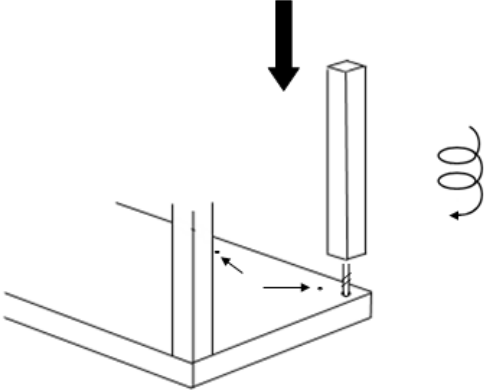
Ø 2mm

Use a bradawl to finely mark 2 points for drilling.

2mm drill – Drill the 2 marked holes.

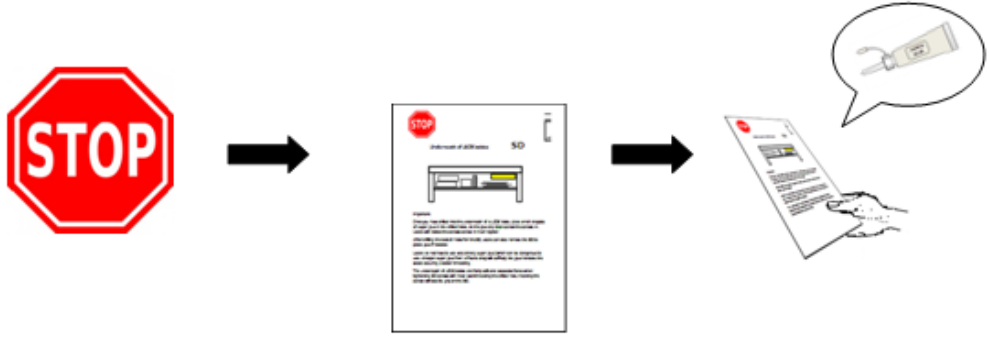
The drill will go through the base.

7



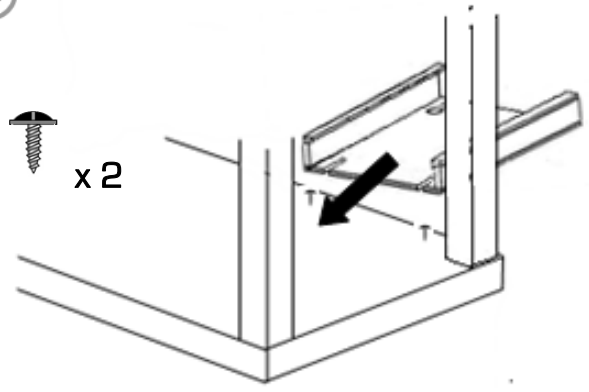
Once the two holes are drilled, the table leg can be screwed back in its original place.

8



Users who wish to strengthen drilled holes using Super-Glue can do so. Read the additional instruction sheet.

9



Screw two screws into drilled holes. Slide the SD onto the base so the screws go through the SD keyhole channels. Slide to the channel limits.

Tighten the screws 'pinch-tight'.

DO NOT USE EXCESSIVE FORCE TO TIGHTEN SCREWS.

10

Once the screws have been gently tightened, mark central points in the rear channels.


This will be where to drill the rear screw holes to hold the SD.

11

1.

2.

Mark the holes centrally as possible and drill.

Alternatively, after this stage users can remove the SD to place Super-Glue in the holes - if desired. 

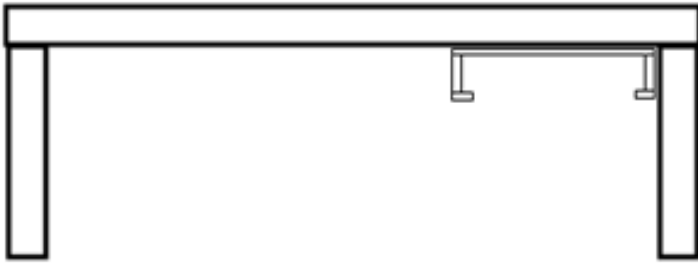
Read the additional sheet.

12

Screw the final 2 screws to hold the SD onto the base.

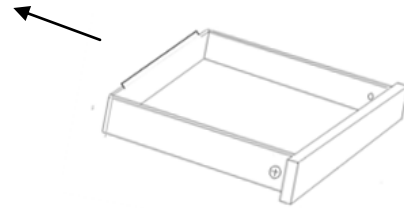
Check all 4 screws are gently tightened, especially if Super-Glue is not used.

13

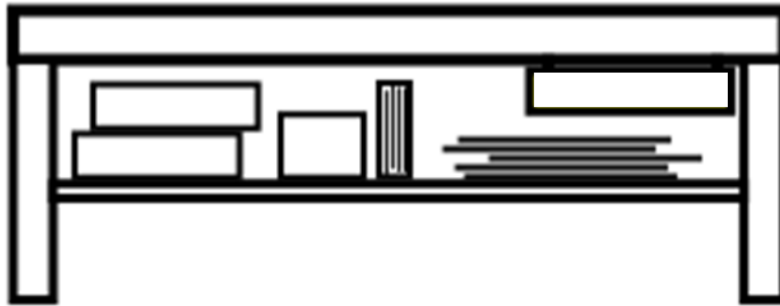


With the SD shell now in place, the drawer can go back.

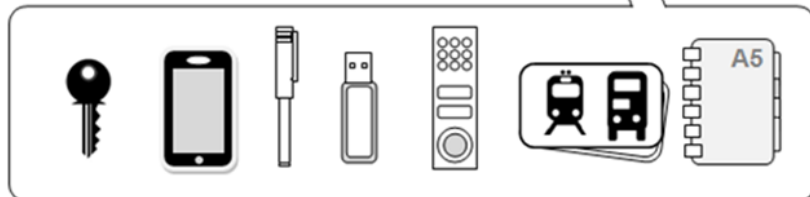
Push the drawer in fully.



14



Enjoy using the SD



Advisory

- Keep any small parts, screws and tools away from children.
- Take care when using tools.
- Take your time fitting the SD.
- Try to be precise as possible when marking points.
- Do not over-tighten screws.

General statement

The sd – Space Drawer © is not an IKEA (the company) product but can be added to and used with IKEA products.

To avoid copyright infringement, no photographic or drawn IKEA images have been used in the marketing and promotion of the SD.

The SD is 'added' to manufacturers' products and is classed as a 'furniture add-on' and as an 'underneath shelf drawer'. The SD is an independently made idea/creation/product, first built in December 2012.

The sd – Space Drawer © is a UK registered design.

Thank you for your interest in the sd - Space Drawer ©.

This page is left blank

This page is left blank